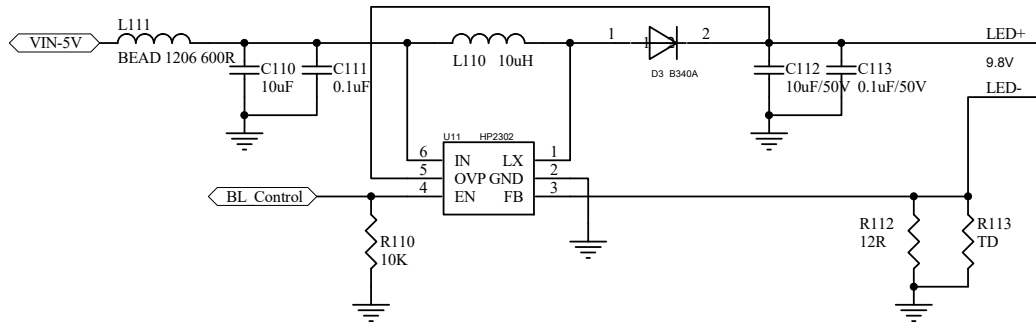
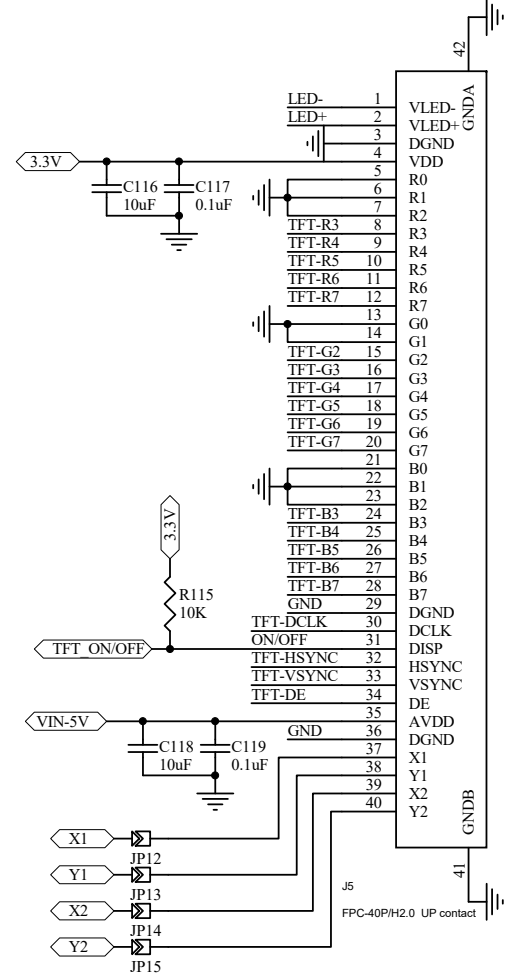
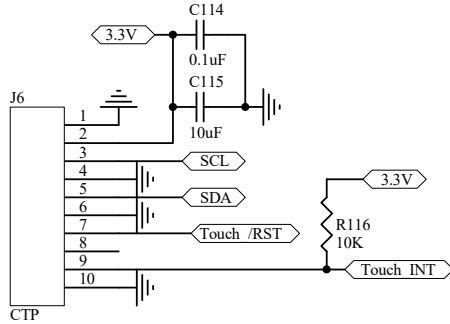
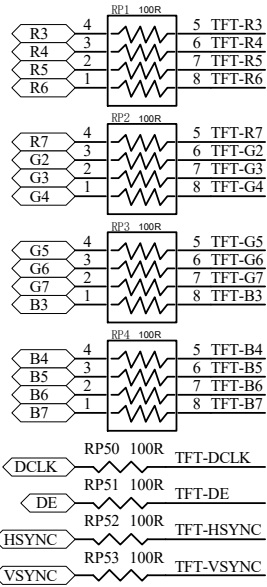
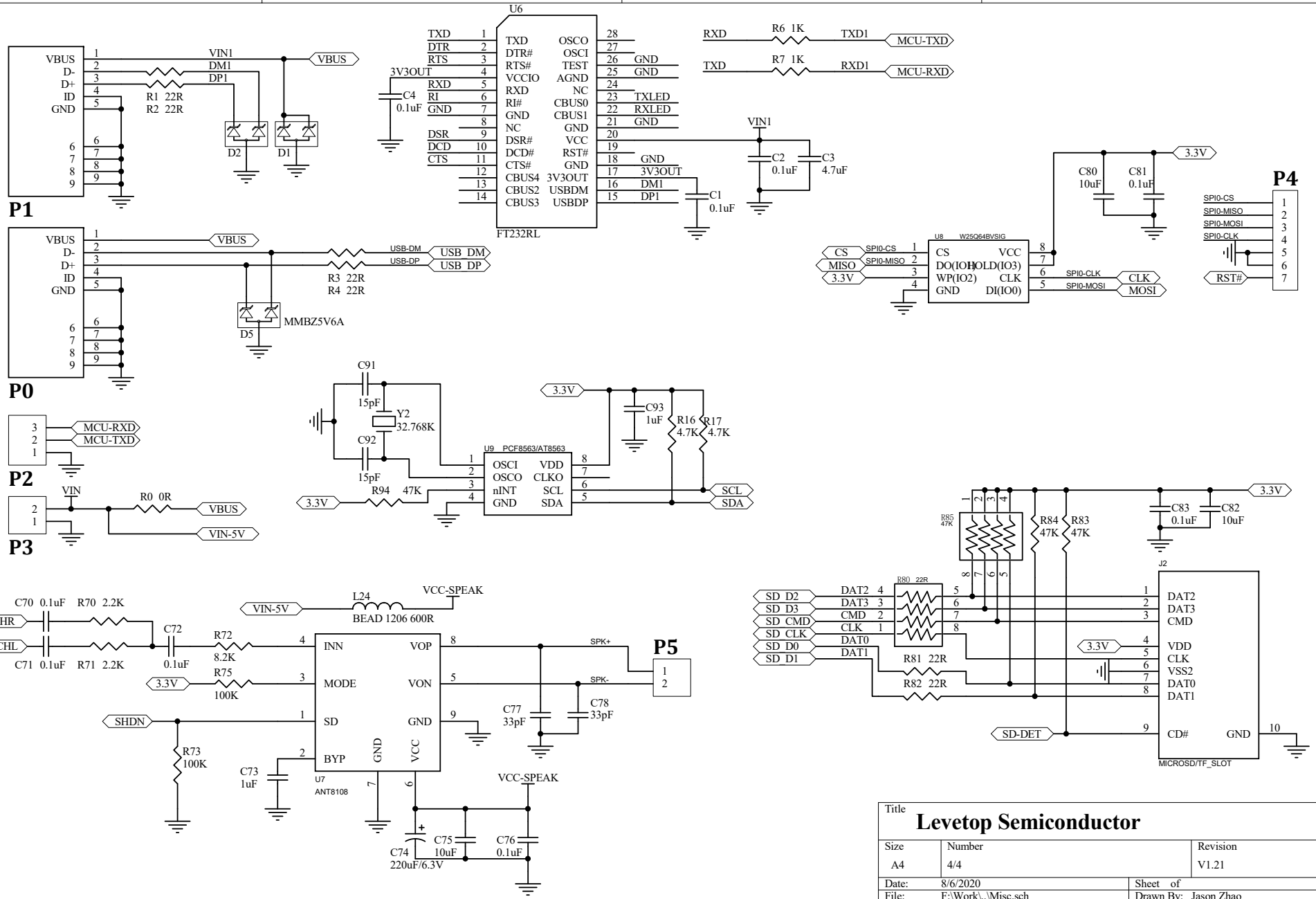


Title		
Levetop Semiconductor		
Size	Number	Revision
A4	2/4	V1.2
Date:	8/6/2020	Sheet of
File:	F:\Work\...\Power.sch	Drawn By: Jason Zhao



Title		
Levetop Semiconductor		
Size	Number	Revision
A4	3/4	V1.2
Date:	8/6/2020	Sheet of
File:	F:\Work\...\TFT.sch	Drawn By: Jason Zhao



Title		
Levetop Semiconductor		
Size	Number	Revision
A4	4/4	V1.21
Date:	8/6/2020	Sheet of
File:	F:\Work\...\Misc.sch	Drawn By: Jason Zhao